



BALLOON ARCH STARTER KIT

**Works exclusively with
Totali EZ Balloons**

USER INSTRUCTIONS



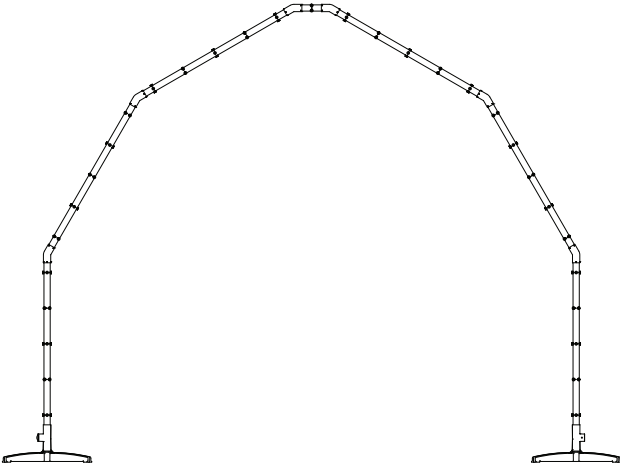
Scan the QR code or visit totaliezballoons.com
to watch step-by-step assembly videos,
view our detailed how-to guide,
and browse the FAQs.

Congratulations on your purchase of the Totali EZ Balloons Starter Kit! This reusable kit creates stunning custom balloon stands that can inflate over 100 Totali EZ Balloons in ONE MINUTE! With its modular design, you can easily construct a Traditional Arch, Square Arch, two Standard Garlands, or two Standard Columns. The design possibilities are endless with our Totali EZ Balloons (sold separately), allowing you to craft unique patterns and color schemes for any occasion—be it a birthday, anniversary, wedding, holiday, gender reveal, or corporate event.

Please follow the instructions below to properly use your Starter Kit.

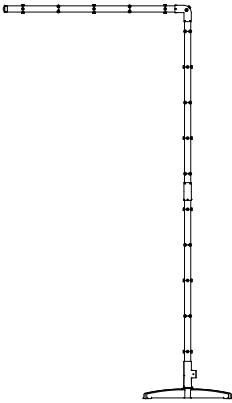
TRADITIONAL ARCH x1

101" H x 144" W



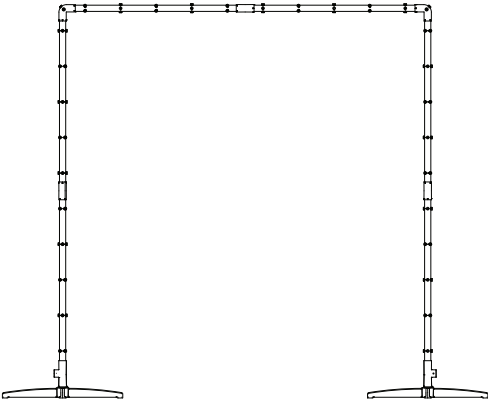
STANDARD GARLAND x2

87" H x 54" W



SQUARE ARCH x1

87" H x 108" W



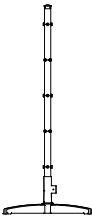
STANDARD COLUMN x2

87" H x 27" W



**MINI COLUMN
2x**

46" H x 27" W

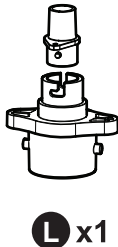
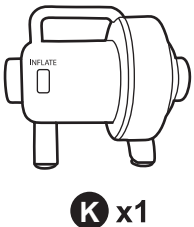
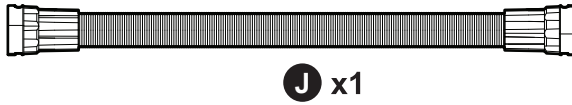
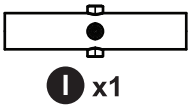
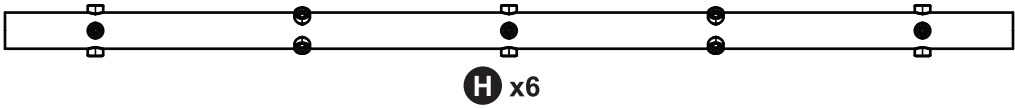
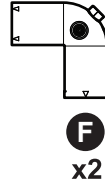
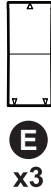
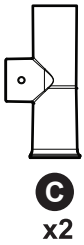
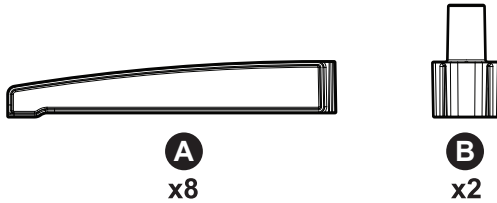


PARTS LIST

- A. Base Leg
- B. Base Hub
- C. Fill Coupler
- D. Angled Coupler
- E. Straight Coupler

- F. 90 Degree Coupler
- G. Universal Plug
- H. EZ Tube (long)
- I. EZ Short Tube
- J. Pump Hose

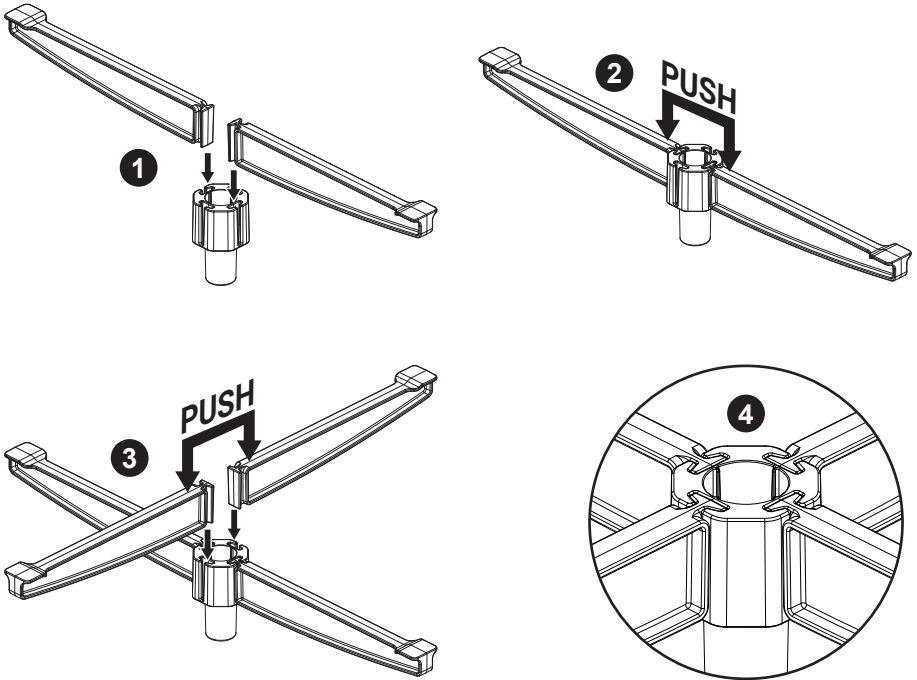
- K. EZ Pump
- L. Hose Adapter
- M. Port



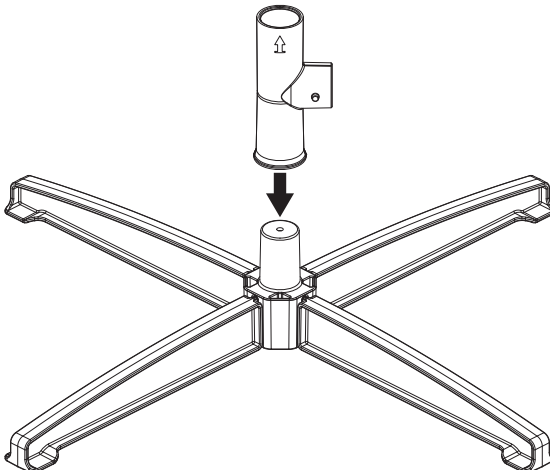
Totali EZ Balloons
(purchased separately)

ASSEMBLE BASE

- 1 - Flip Base Hub upside down with slots facing up. Insert 2 opposing Base Legs into the Base Hub slots as shown.
- 2 - Push down on opposing legs close to center to make sure the Base Legs are fully pressed in and flush with the end of the hub. Use a rubber mallet to hammer in place if necessary.
- 3 - Repeat steps 1 and 2 for other 2 legs.
- 4 - Base Legs should be pressed in all the way and flush with the bottom of the hub.
- 5 - Repeat assembly for 2nd Base.
- 6 - For outdoor use or extra stability, it is recommended to add weight to stabilize base.



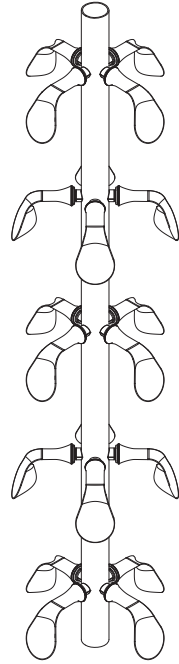
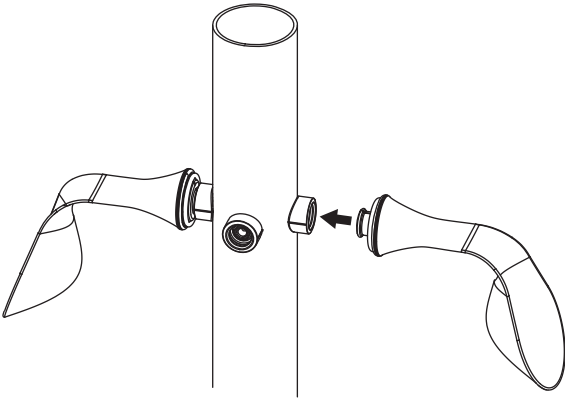
- 5 - Connect 1 Fill Coupler to each Base. Flange should be facing down with arrow up as shown.



ASSEMBLE TOTALI EZ BALLOONS TO TUBES

1 - Connect Totali EZ Balloons* to EZ tubes. Use multiple colors and alternate positions to create a custom pattern design. (*Totali EZ Balloons sold separately)

2 - Totali EZ Balloons are sold in packs of 22. Each EZ Tube requires one bag of Totali EZ Balloons.



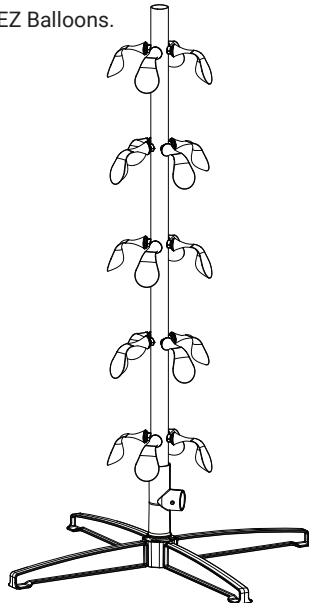
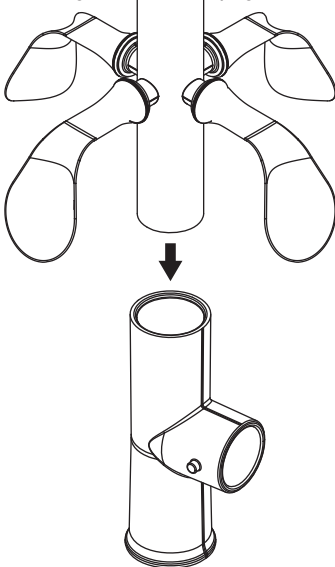
MINI COLUMN:

1 - Connect EZ Tube to Fill Coupler. Fill Coupler should be already assembled to base.

2 - Repeat to create 2nd Mini Column.

3 - Plug top of tube with universal plug if filling Mini Column only. Otherwise, use Mini Column to continue to build desired Column, Garland, or Arch

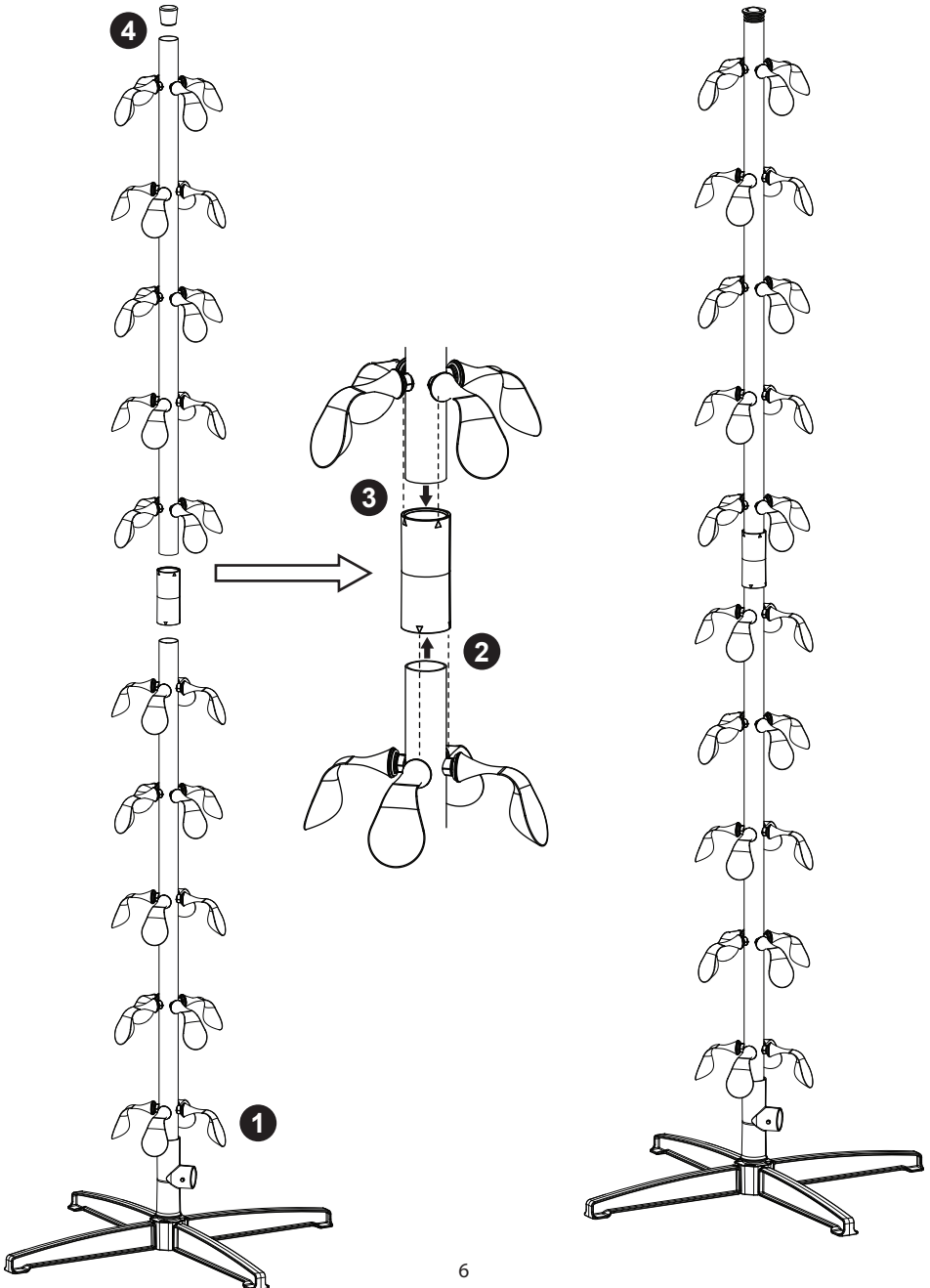
4 - Follow filling directions on page 10 to inflate Totali EZ Balloons.



COLUMN:

- 1 - Connect EZ Tube to Fill Coupler. Fill Coupler should be already assembled to base.
 - 2 - Attach Straight Coupler to EZ Tube. Align arrows of Straight Coupler with closest row of Totali EZ Balloons.
 - 3 - Connect 2nd EZ Tube. Align closest row of Totali EZ Balloons with arrows on coupler.
 - 4 - Plug top end of EZ Tube with universal plug.
- Repeat all steps for 2nd column.

Follow filling directions on page 10 to inflate Totali EZ Balloons.

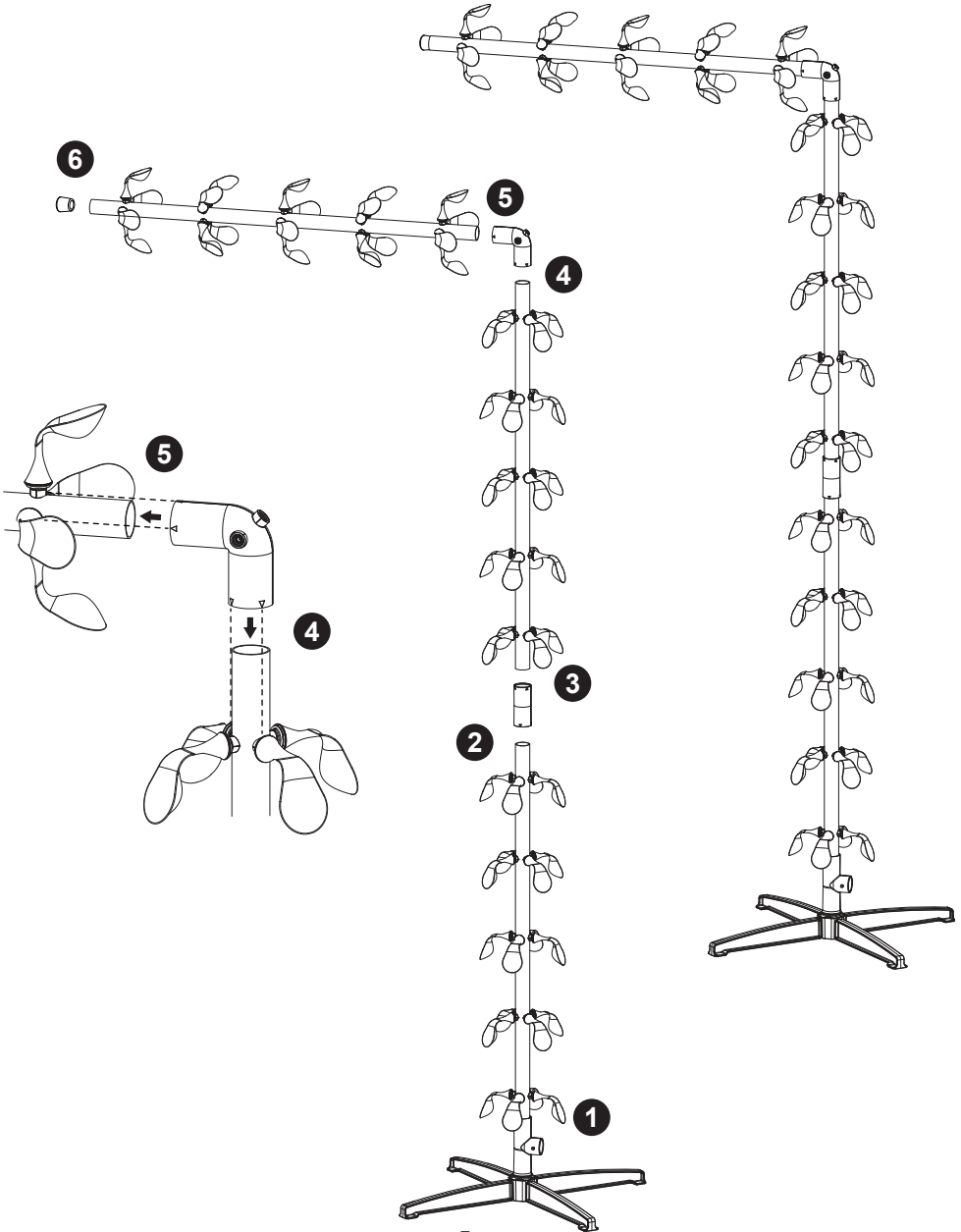


GARLAND:

- 1 - Connect EZ Tube to Fill Coupler. Fill Coupler should be already assembled to base.
- 2 - Attach straight coupler to EZ Tube. Align arrows of coupler with closest row of Totali EZ Balloons.
- 3 - Connect 2nd EZ Tube. Align closest row of Totali EZ Balloons with arrows on coupler.
- 4 - Attach 90 degree coupler. Align arrows with top row of Totali EZ Balloons.
- 5 - Connect 3rd EZ Tube. Align arrows with last row of Totali EZ Balloons.
- 6 - Plug end of EZ Tube with Universal Plug. (Skip if making Square Arch)

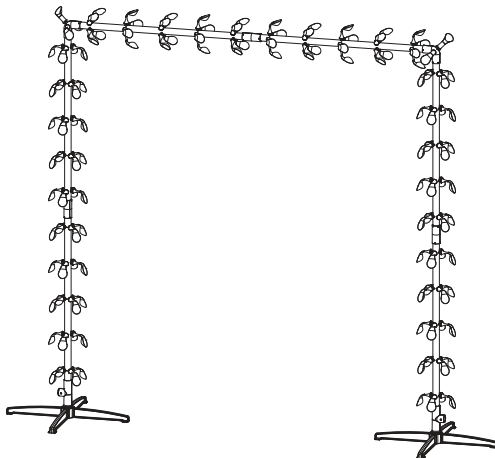
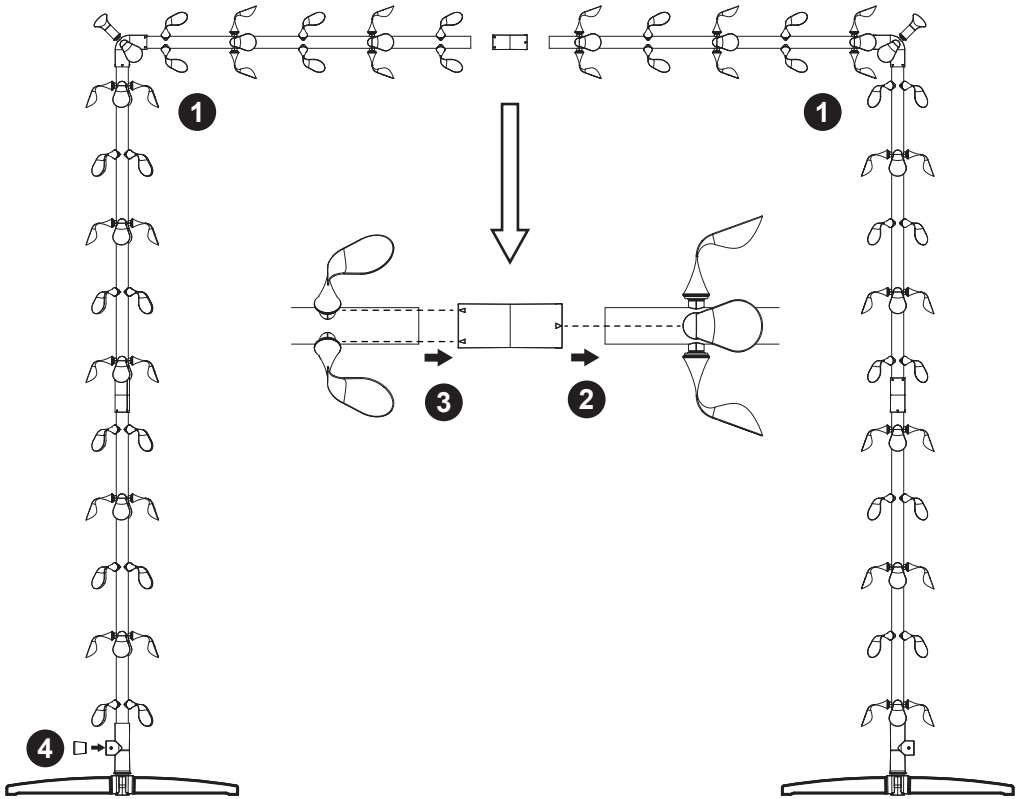
Repeat steps to create 2nd Garland

Follow filling directions on page 10 to inflate Totali EZ Balloons.



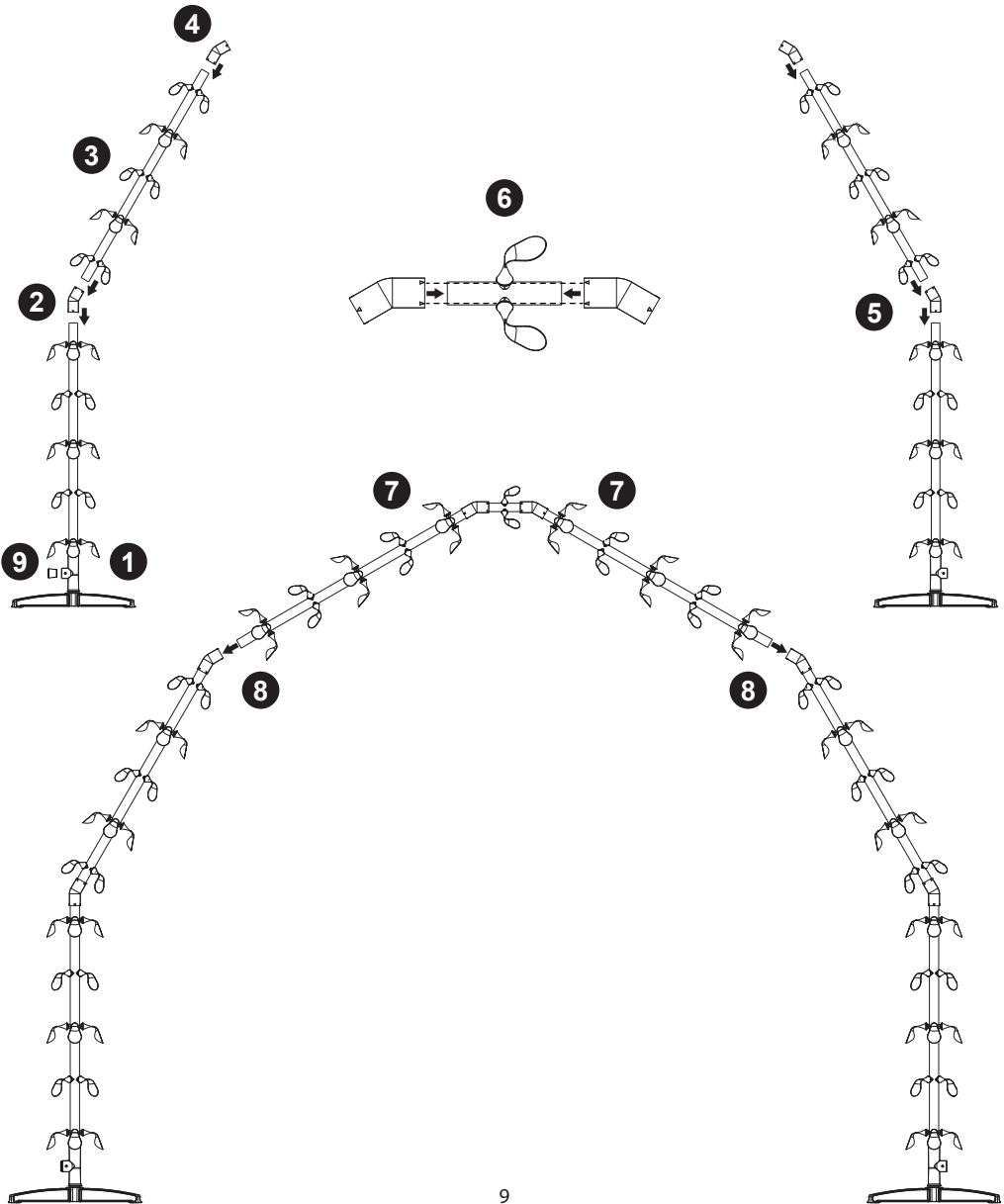
SQUARE ARCH:

- 1 - Follow steps to create 2 Garlands.
 - 2 - Attach Straight Coupler aligning arrows with Totali EZ Balloons.
 - 3 - Connect 2 sides.
 - 4 - Plug one Fill Coupler with Universal Plug.
- Follow filling directions on page 10 to inflate Totali EZ Balloons.



TRADITIONAL ARCH:

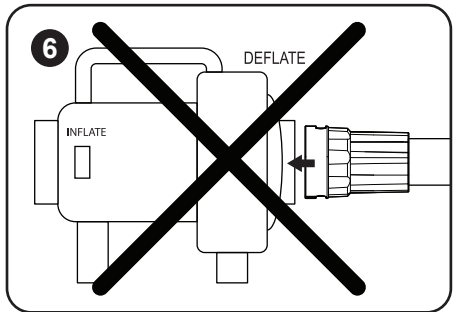
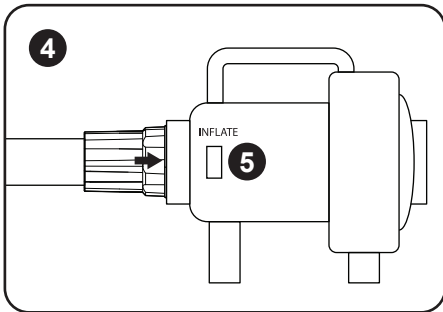
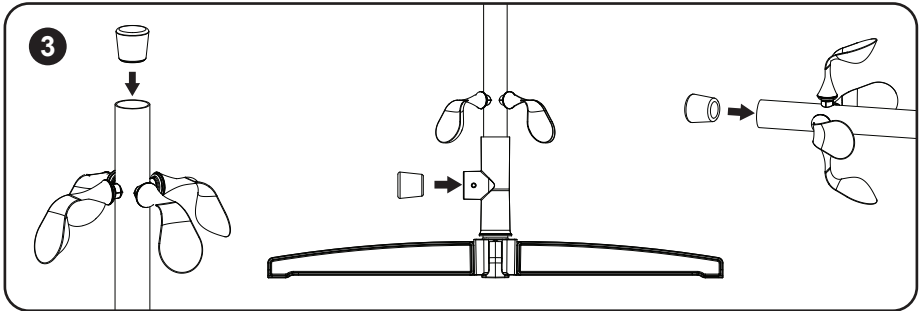
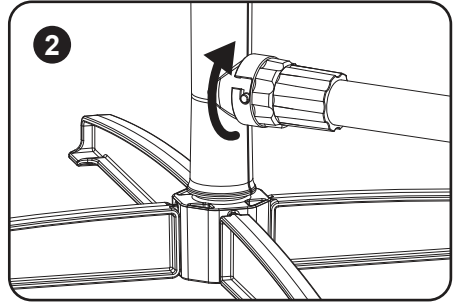
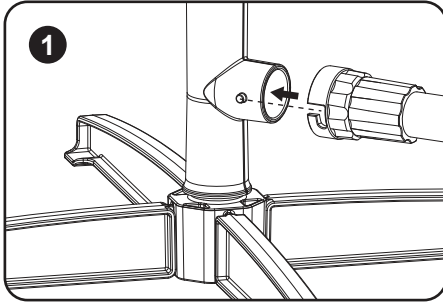
- 1 - Connect EZ Tube to Fill Coupler. Fill Coupler should be already assembled to base.
 - 2 - Add angled coupler to end of EZ Tube. Align arrows of coupler with Totali EZ Balloons.
 - 3 - Add 2nd EZ tube. Align Totali EZ Balloons with arrows on coupler.
 - 4 - Add 2nd Angled Coupler to end of 2nd tube.
 - 5 - Repeat steps 1-3 for opposite side.
 - 6 - Begin building top of arch by connecting Angled Couplers to each end of the EZ Short Tube.
 - 7 - Connect an EZ Tube to each Angled Coupler to complete building the top of arch.
 - 8 - Connect top of arch to side assemblies. An additional person or step stool may be needed to assist with this step.
 - 9 - Plug one Fill Coupler with Universal Plug.
- Follow filling directions on page 10 to inflate Totali EZ Balloons.



FILLING THE TOTALI EZ BALLOONS

- 1 - Align slot with pin and connect Hose end to Fill Coupler as shown..
- 2 - Rotate hose end clockwise to lock in place.
- 3 - For the Square and Traditional Arch, plug the Fill Coupler at the opposite end of the EZ Pump with the Universal Plug. For the Column and Garland plug the end of the EZ tube.
- 4 - Connect end of Hose to "INFLATE" end of EZ Pump.
- 5 - Plug EZ Pump into power source. Turn on EZ Pump to begin filling. Stop when Totali EZ Balloons are at desired inflation. CAUTION: Totali EZ Balloons should not exceed 12" in diameter.

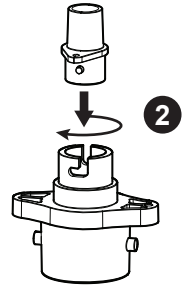
WARNING: Do NOT use the pump to deflate Totali EZ Balloons. This may cause damage to pump and lead to additional safety hazards. Totali EZ Balloons are one-time use only. Please dispose of Totali EZ Balloons after use.



MANUALLY INFLATE TOTALI EZ BALLOONS

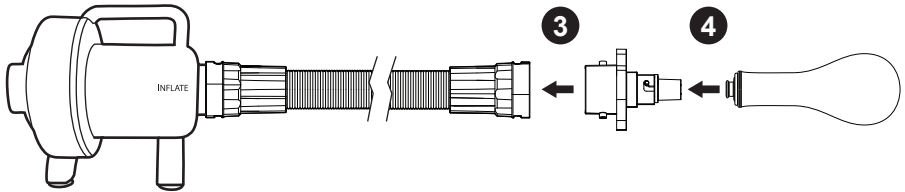
If any Totali EZ Balloons fail to inflate or need additional inflation after using the arch system, follow these steps:

- 1 - Remove any Totali EZ Balloons from EZ Tube that do not fully inflate.
 - 2 - Connect the 2 parts of the Hose Adapter and twist-lock in place.
 - 3 - Connect hose adapter to end of Hose. Twist-lock in place.
 - 4 - Insert plastic end of EZ Balloon into end of Hose Adapter.
 - 5 - Hold EZ Balloon to Hose Adapter and turn on electric pump to inflate Totali EZ Balloons.
 - 6 - Stop filling when EZ Balloon is at desired inflation.
- CAUTION: Totali EZ Balloons should not exceed 12" in diameter.
- 7 - Plug EZ Balloon back into EZ Tube.



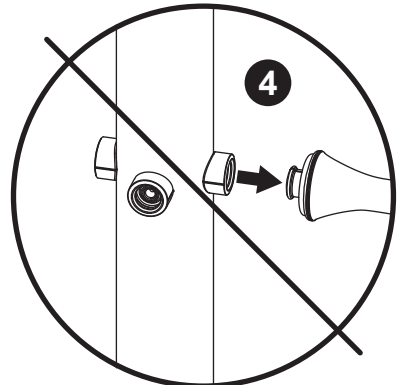
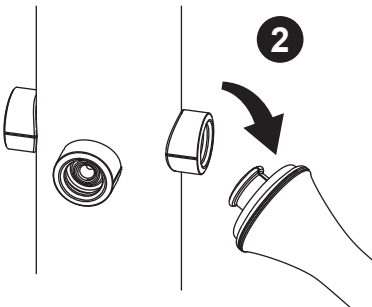
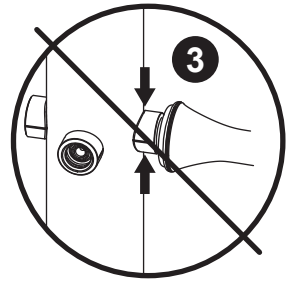
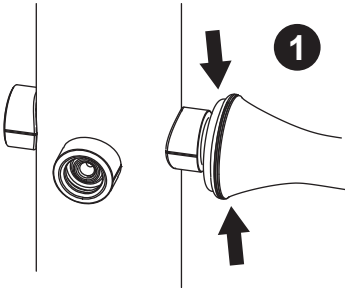
WARNING: Do NOT use the pump to deflate Totali EZ Balloons. This may cause damage to pump and lead to additional safety hazards.

Totali EZ Balloons are one-time use only. Please dispose of Totali EZ Balloons after use.



REMOVING Totali EZ Balloons

- 1 - Grip the flange of the EZ Balloon only.
- 2 - IMPORTANT: Rotate the flange downward to easily remove the Totali EZ Balloon from the Port.
- 3 - DO NOT grip or pull on the Port to avoid removing the Port.
- 4 - DO NOT pull the Totali EZ Balloon straight out.



HIGH PRESSURE ELECTRIC AIR PUMP

IMPORTANT SAFETY INSTRUCTIONS

READ THE FOLLOWING INSTRUCTIONS BEFORE USE

IMPORTANT

1. Power supply must be AC 110V-220V, 60HZ
2. This is a high-volume air pump. It is intended to inflate items such as air mattresses, inflatable boats, etc.
3. Do not operate continuously to exceed 10 minutes, it may overheat and damage the pump.
4. Keep the pump away from the reach of children.
5. Do not obstruct the inflation/deflation port and keep them ventilated all the time.
6. For fast inflation and shortening the motor's working time, always use the suitable adapter according to the size of valve of inflatable item.

WARNING

1. Carefully follow instructions. Never exceed recommended pressures. Bursting items may cause serious injury by exceeding pressure.
2. Do not use the pump to deflate Totali EZ Balloons.
3. Do not leave the pump unattended while running.
4. Do not use the pump under wet conditions.
5. Never allow sand, small rocks, etc, to be sucked into inflation/deflation port while operating.
6. Never look into or point the inflation/deflation port toward person while operating.
7. Do not attempt to put hand or fingers into the inflation/deflation port at any time.
8. The supply cord cannot be replaced. If the cord is damaged, the appliance should be disposed.
9. This appliance has a polarized plug (one blade is wider than the other). To reduce the risk of electric shock, this plug is intended to fit into a polarized outlet only one way. If the plug does not fit fully into the outlet, reverse the plug. If it still does not fit, contact a qualified electrician. Do not modify the plug in any way.
10. Do not use the pump greater than one minute to inflate Totali EZ Balloons.

MAINTENANCE

1. Unplug or disconnect the appliance from the power supply before servicing.
2. Store indoor and keep dry.
3. To keep the air pump clean, wipe with a dry cloth or damp cloth.
4. Any other servicing should be performed by an authorized service representative



The actual product may differ from imagery. If such the case, the actual product shall prevail.

Warning: CHOKING HAZARD – Children under 8 years can choke or suffocate on uninflated or broken balloons. Keep uninflated balloons or small parts from children. Discard broken balloons immediately. Do not inflate by mouth. This product contains small parts that can pose a choking hazard. Keep out of reach of children to prevent accidental ingestion or choking. Dispose of packaging materials, immediately after opening to prevent suffocation risks. Made of natural rubber latex, which may cause allergies. Do not hang from this product. Hanging may cause product failure, tipping, or personal injury. This product is not designed to support body weight.

Warning: Electrical & Operating Hazard. Read all warning instructions before use on back of electric air pump. Do NOT use near water or operate with wet hands – risk of electric shock. Unplug when not in use. Only use for inflating items in this kit. Adult supervision required at all times.

CAUTION:

Changes or modifications not expressly approved by the party responsible for compliance could void the user's authority to operate the equipment.

Note: This equipment has been tested and found to comply with the limits for a Class B digital device, pursuant to part 15 of the FCC Rules. These limits are designed to provide reasonable protection against harmful interference in a residential installation. This equipment generates, uses and can radiate radio frequency energy and, if not installed and used in accordance with the instructions, may cause harmful interference to radio communications. However, there is no guarantee that interference will not occur in a particular installation. If this equipment does cause harmful interference to radio or television reception, which can be determined by turning the equipment off and on, the user is encouraged to try to correct the interference by one or more of the following measures:

- Reorient or relocate the receiving antenna.
- Increase the separation between the equipment and receiver.
- Connect the equipment into an outlet on a circuit different from that to which the receiver is connected.
- Consult the dealer or an experienced radio/TV technician for help.

Limited Warranty

Warranty Coverage:

Totali Totali EZ Balloons LLC warrants this product from being free from defects in material and workmanship for a period of 60 days from the date of delivery for online orders or in-store purchase. The air pump has warranty period of 90 days from the date of delivery for online orders or in-store purchase. During this period, Totali Totali EZ Balloons LLC will repair or replace, at no charge, products or parts of a product that proves defective because of improper material or workmanship, under normal use and maintenance. After 90 days, replacement air pumps will need to be purchased online at TotaliEzBalloons.com.

Totali EZ Balloons that do not inflate or deflate after inflation process are not considered defective or part of the warranty. We provide 2 additional Totali EZ Balloons per package to accommodate any additional needs (6-8 extra Totali EZ Balloons per arch).

Warranty Conditions:

This warranty applies only to the original purchaser of the product. The warranty is void if the product has been subject to misuse, abuse, neglect, accident, unauthorized modification, or improper installation. The warranty does not cover any damage, deflation, discoloration, oxidation, or failure resulting from exposure to weather, outdoor conditions, extreme temperatures, direct sunlight, rain, wind, or other environmental factors. Proof of purchase must be provided to obtain warranty service. The warranty does not cover normal wear and tear or damage caused by external factors.

Warranty Service:

To obtain warranty service, you must contact Totali Totali EZ Balloons LLC at support@totaliezballoons.com to determine the problem and the most appropriate solution. You may be required to return the product to Totali Totali EZ Balloons LLC for inspection and repair.

Limitations of Warranty:

This warranty does not cover any incidental or consequential damage, including but not limited to loss of use, loss of business, or loss of profits. The warranty is limited to the repair or replacement of the product only.

Governing Law:

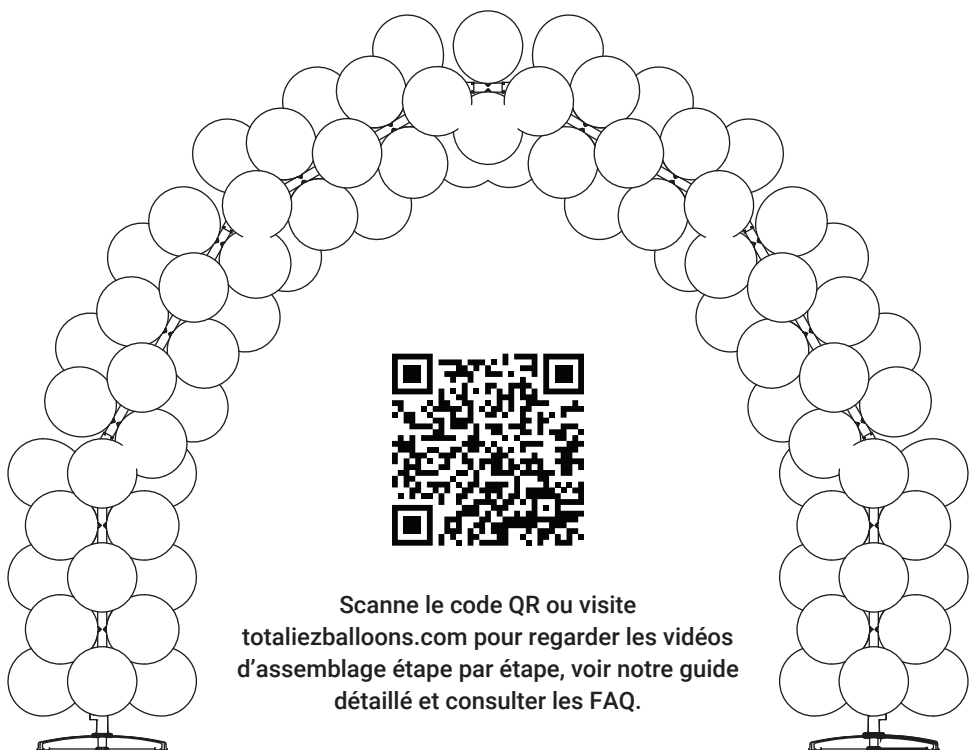
This warranty shall be governed by and construed in accordance with the laws of Arizona, USA.



TROUSSE DE DÉMARRAGE POUR ARCHE DE BALLONS

**Fonctionne exclusivement
avec Totali EZ Balloons**

GUIDE D'UTILIS

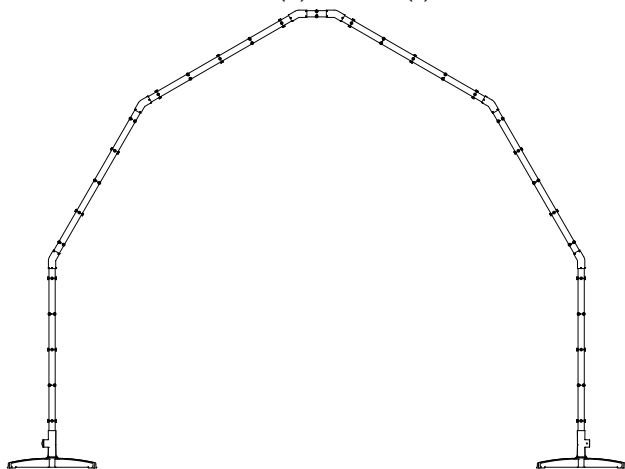


Félicitations pour votre achat de la trousse de démarrage Totali Totali EZ Balloons ! Cette trousse réutilisable permet de créer de magnifiques structures de ballons personnalisées qui peuvent gonfler plus de 100 Totali EZ Balloons EN UNE MINUTE ! Grâce à sa conception modulaire, vous pouvez facilement assembler une arche traditionnelle, une arche carrée, deux guirlandes standard ou deux colonnes standard. Les possibilités de création sont infinies avec nos Totali EZ Balloons (vendus séparément), ce qui vous permet de réaliser des motifs et des combinaisons de couleurs uniques pour toutes les occasions – anniversaire, fête d'anniversaire, mariage, Noël, révélation de genre ou événement d'entreprise.

Veuillez suivre les instructions ci-dessous pour utiliser correctement votre trousse de démarrage.

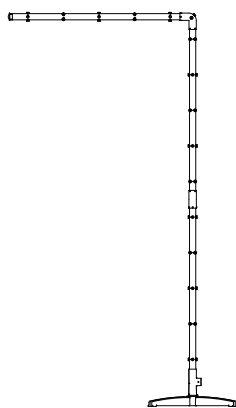
ARCHE TRADITIONNELLE x1

257 cm (H) x 366 cm (L)



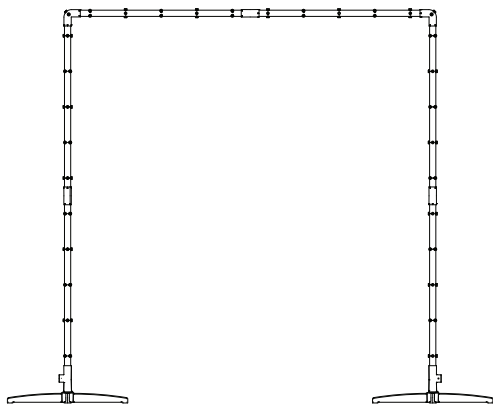
GUIRLANDE STANDARD x2

221 cm (H) x 137 cm (L)



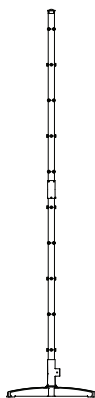
ARCHE CARRÉE x1

221 cm (H) x 274 cm (L)



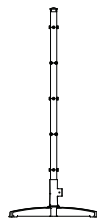
COLONNE STANDARD x2

221 cm (H) x 69 cm (L)



MINI-COLONNE 2x

117 cm (H)
x 69 cm (L)



LISTE DES PIÈCES

- A. Pied de base
- B. Moyeu de base
- C. Raccord de gonflage
- D. Raccord angulaire
- E. Raccord droit

- F. Raccord à 90 degrés
- G. Bouchon universel
- H. EZ Tube (long)
- I. EZ Tube court
- J. Tuyau de pompe

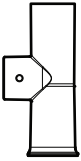
- K. Pompe EZ
- L. Adaptateur de tuyau
- M. Port



A
x8



B
x2



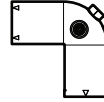
C
x2



D
x6



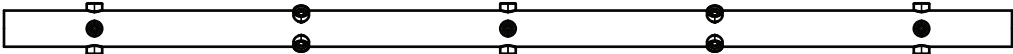
E
x3



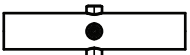
F
x2



G
x2



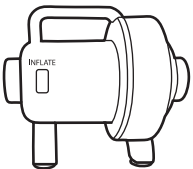
H x6



I x1



J x1



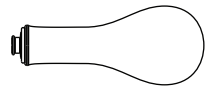
K x1



L x1



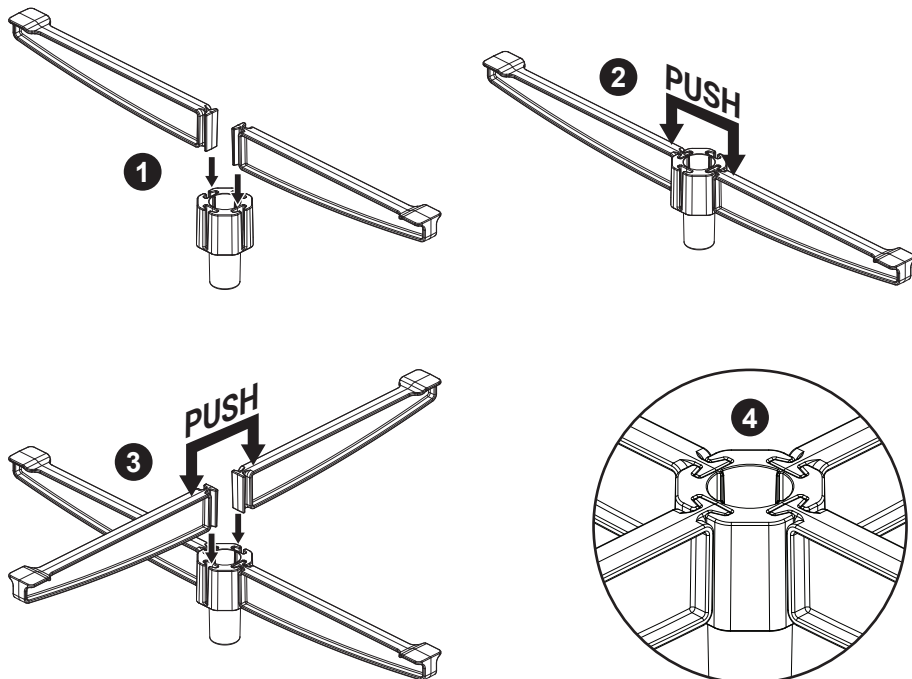
M x2



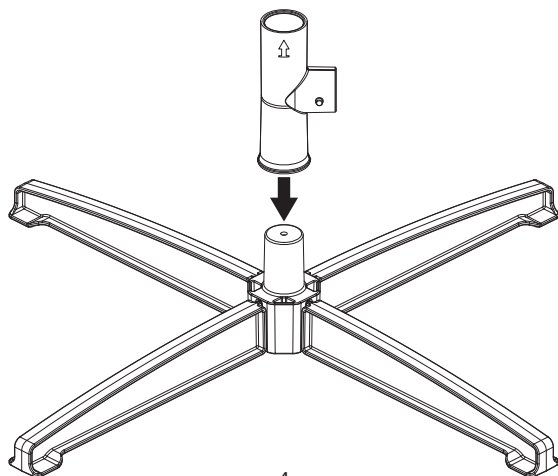
Totali EZ Balloons
(achetés séparément)

ASSEMBLAGE DE LA BASE

- 1 - Retourne le moyeu de base à l'envers (les fentes en haut). Insère 2 pattes de base opposées dans les fentes du moyeu comme montré sur l'image.
- 2 - Pousse fort sur les pattes opposées, près du centre, pour t'assurer qu'elles sont complètement enfoncées et bien flush (à ras) avec le bout du moyeu. Au besoin, donne des coups de maillet en caoutchouc pour bien les rentrer.
- 3 - Répète les étapes 1 et 2 pour les 2 autres pattes.
- 4 - Les pattes de base doivent être complètement enfoncées et à ras avec le dessous du moyeu.
- 5 - Répète l'assemblage pour la 2e base.
- 6 - Pour une utilisation extérieure ou pour plus de stabilité, on recommande d'ajouter du poids dans la base pour la stabiliser.

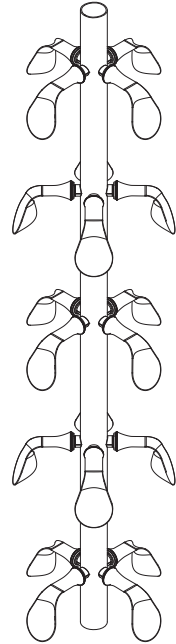
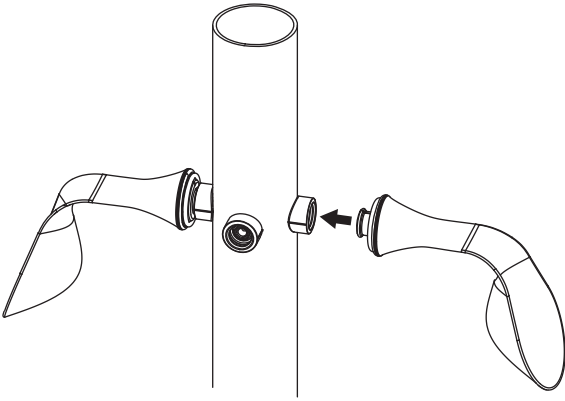


- 7 - Connecte 1 raccord de remplissage (ou coupleur de remplissage) à chaque base. La bride doit être en bas et la flèche en haut, comme montré.



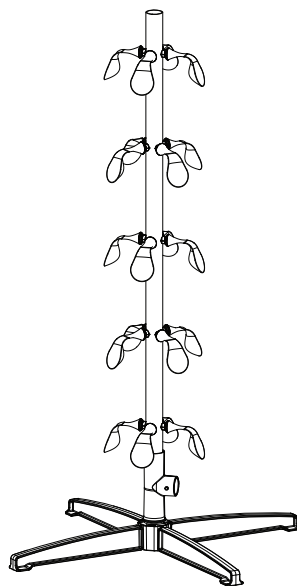
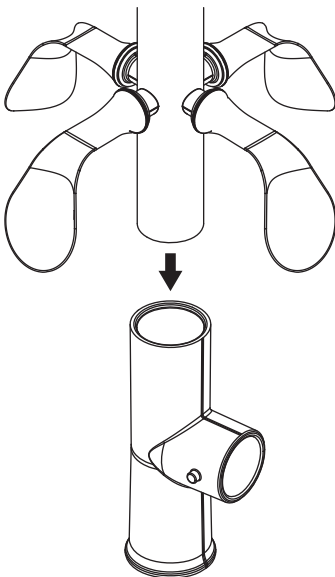
FIXATION DES TOTALI EZ BALLOONS AUX TUBES

- 1 - Fixez Totali EZ Balloons* aux EZ Tubes. Utilisez plusieurs couleurs et alternez les positions pour créer un motif personnalisé. (*Totali EZ Balloons vendus séparément)
- 2 - Totali EZ Balloons sont vendus en paquets de 22. Chaque EZ Tube nécessite un paquet de Totali EZ Balloons.



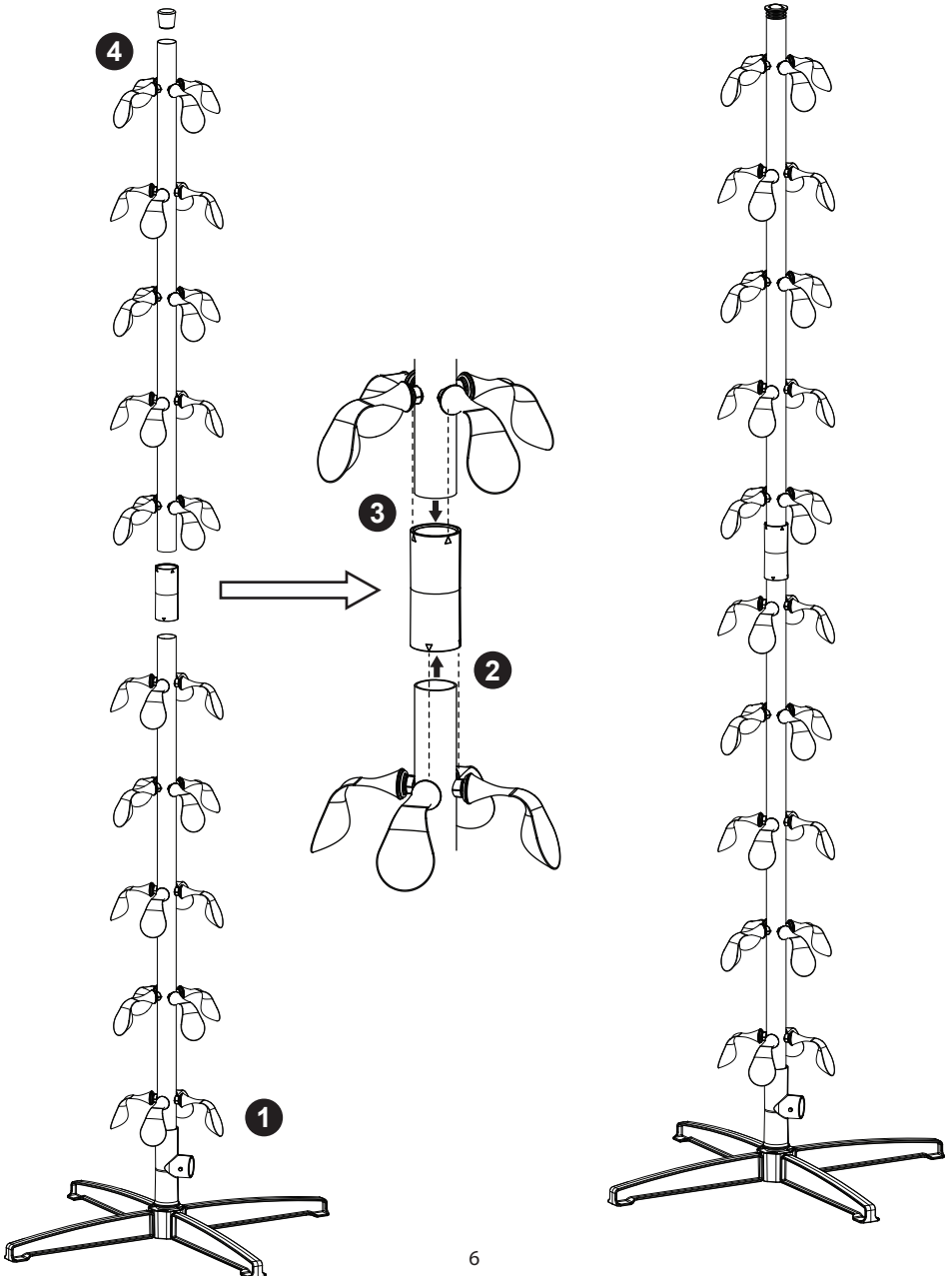
MINI-COLONNE:

- 1 - Connectez le EZ Tube au raccord de gonflage. Le raccord de gonflage doit déjà être assemblé à la base.
- 2 - Répétez pour créer la 2e mini-colonne.
- 3 - Bouchez le haut du tube avec le bouchon universel si vous gonflez uniquement la mini-colonne. Sinon, utilisez la mini-colonne pour continuer à construire la colonne, la guirlande ou l'arche désirée.
- 4 - Suivez les instructions de gonflage à la page 10 pour gonfler Totali EZ Balloons.



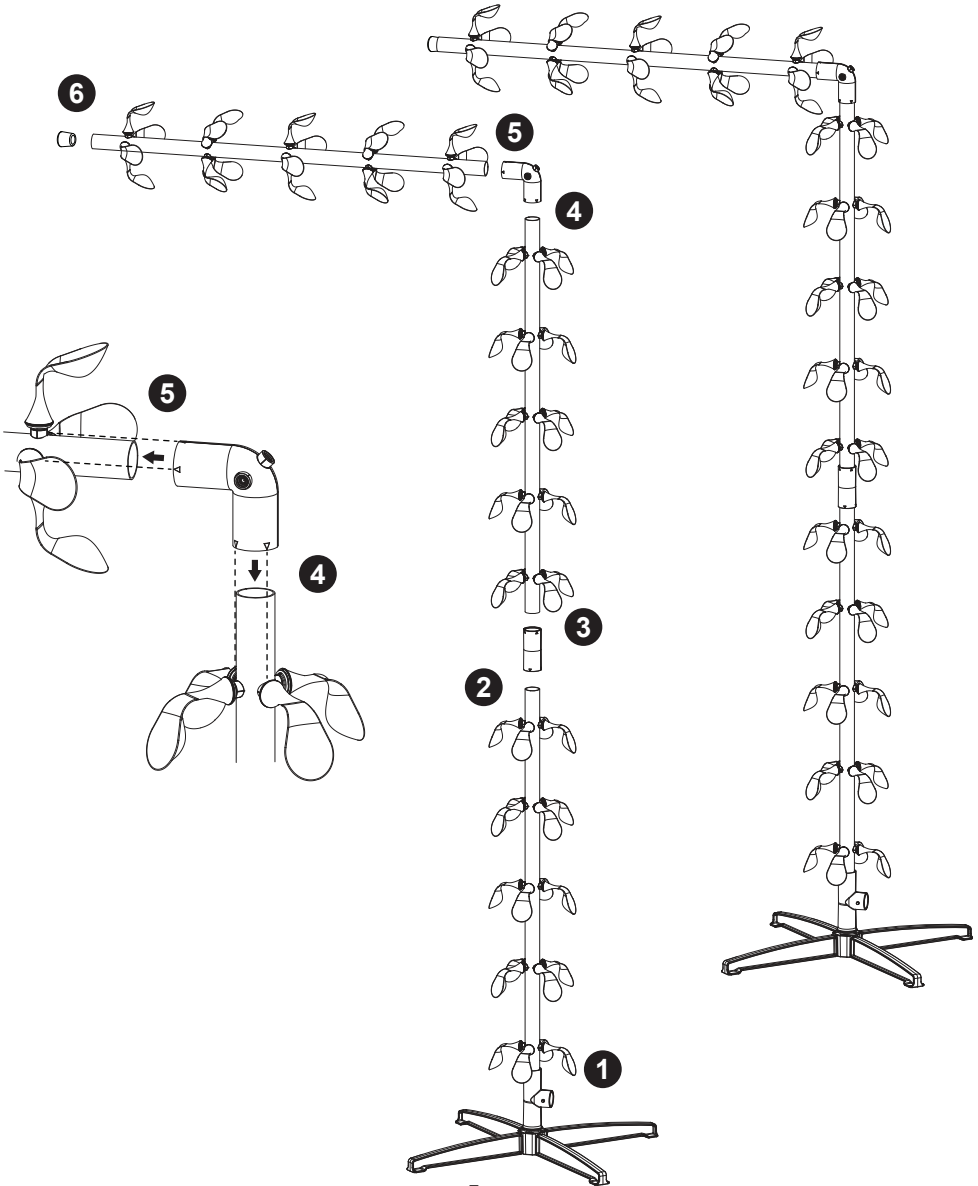
COLONNE:

- 1 - Connectez le EZ Tube au raccord de gonflage. Le raccord de gonflage doit déjà être assemblé à la base.
 - 2 - Fixez le raccord droit au EZ Tube. Alignez les flèches du raccord droit avec la rangée la plus proche de Totali EZ Balloons.
 - 3 - Connectez le 2e EZ Tube. Alignez la rangée la plus proche de Totali EZ Balloons avec les flèches sur le raccord.
 - 4 - Bouchez l'extrémité supérieure du EZ Tube avec le bouchon universel. Répétez toutes les étapes pour la 2e colonne.
- Suivez les instructions de gonflage à la page 10 pour gonfler Totali EZ Balloons.



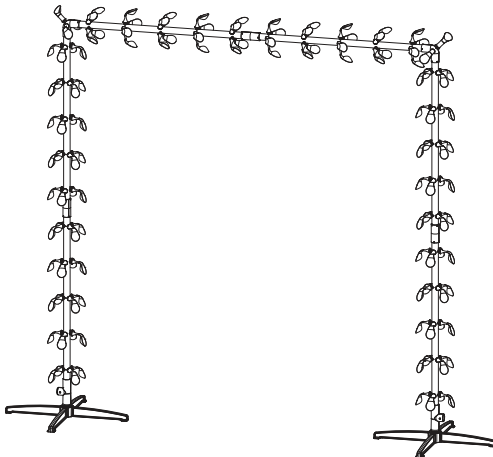
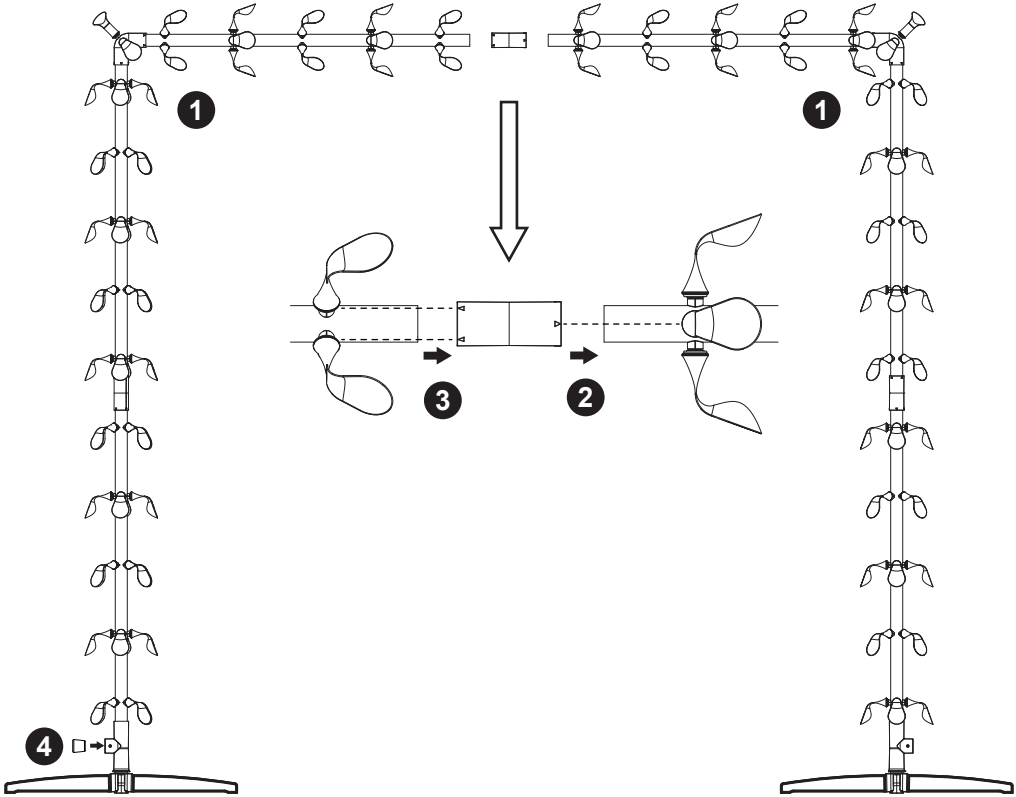
GUIRLANDE:

- 1 - Connectez le EZ Tube au raccord de gonflage. Le raccord de gonflage doit déjà être assemblé à la base.
- 2 - Fixez le raccord droit au EZ Tube. Alignez les flèches du raccord avec la rangée la plus proche de Totali EZ Balloons.
- 3 - Connectez le 2e EZ Tube. Alignez la rangée la plus proche de Totali EZ Balloons avec les flèches sur le raccord.
- 4 - Fixez le raccord à 90 degrés. Alignez les flèches avec la rangée supérieure de Totali EZ Balloons.
- 5 - Connectez le 3e EZ Tube. Alignez les flèches avec la dernière rangée de Totali EZ Balloons.
- 6 - Bouchez l'extrémité du EZ Tube avec le bouchon universel. (Sauter cette étape si vous faites une arche carrée) Répétez les étapes pour créer la 2e guirlande. Suivez les instructions de gonflage à la page 10 pour gonfler Totali EZ Balloons.



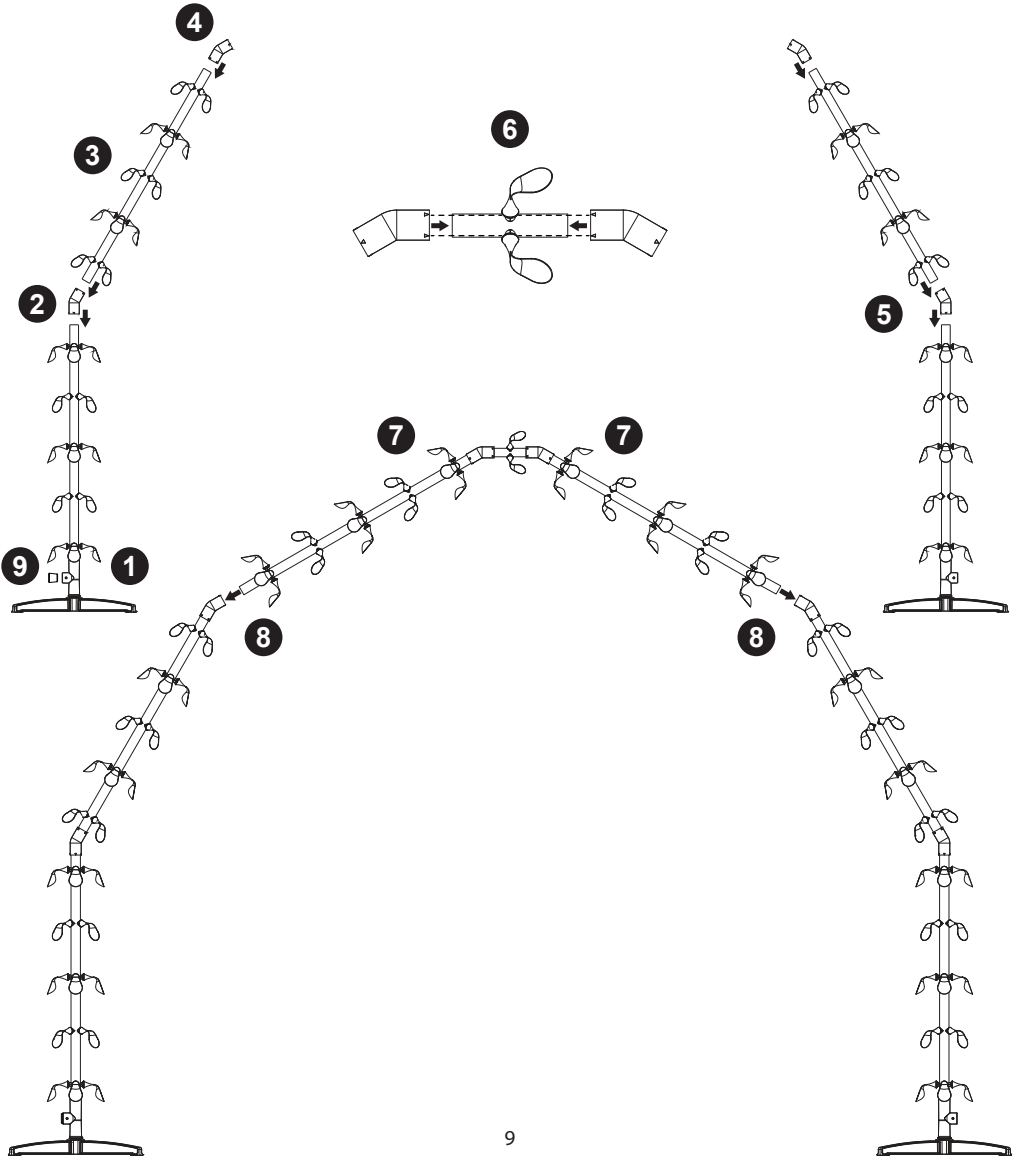
ARCHE CARRÉE :

- 1 - Suivez les étapes pour créer 2 guirlandes.
 - 2 - Ajoutez un raccord droit en alignant les flèches avec Totali EZ Balloons.
 - 3 - Connectez les 2 côtés.
 - 4 - Bouchez un raccord de gonflage avec le bouchon universel.
- Suivez les instructions de gonflage à la page 10 pour gonfler Totali EZ Balloons.



ARCHE TRADITIONNELLE:

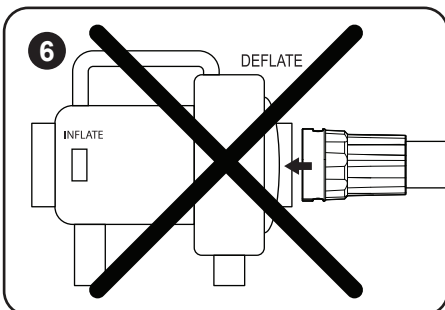
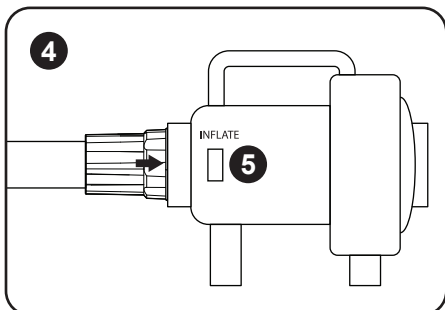
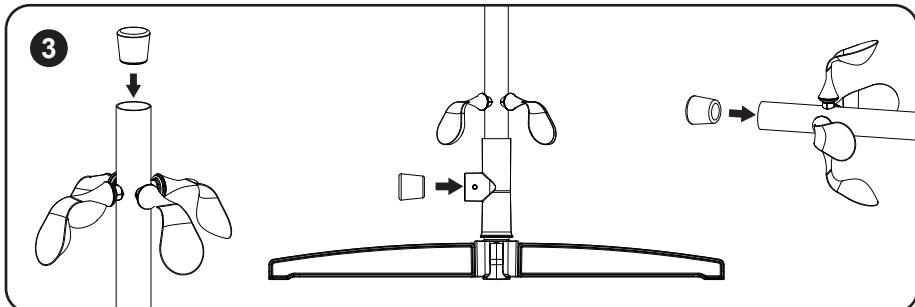
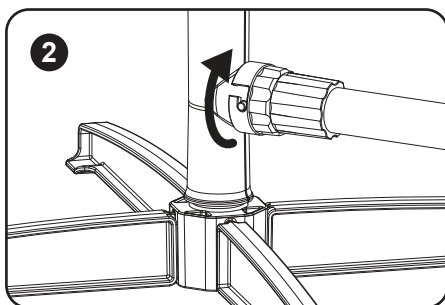
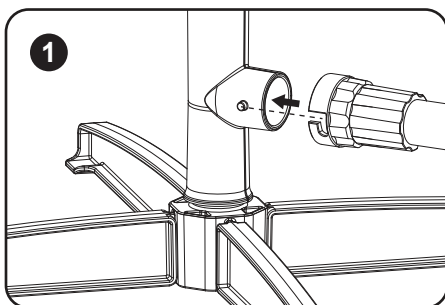
- 1 - Connectez le EZ Tube au raccord de gonflage. Le raccord de gonflage doit déjà être assemblé à la base.
 - 2 - Ajoutez le raccord angulaire à l'extrémité du EZ Tube. Alignez les flèches du raccord avec Totali EZ Balloons.
 - 3 - Ajoutez le 2e EZ Tube. Alignez Totali EZ Balloons avec les flèches sur le raccord.
 - 4 - Ajoutez le 2e raccord angulaire à l'extrémité du 2e tube.
 - 5 - Répétez les étapes 1-3 pour le côté opposé.
 - 6 - Commencez à construire le haut de l'arche en connectant les raccords angulaires à chaque extrémité du EZ Tube court.
 - 7 - Connectez un EZ Tube à chaque raccord angulaire pour compléter le haut de l'arche.
 - 8 - Connectez le haut de l'arche aux assemblages latéraux. Une personne supplémentaire ou un escabeau peut être nécessaire pour cette étape.
 - 9 - Bouchez un raccord de gonflage avec le bouchon universel.
- Suivez les instructions de gonflage à la page 10 pour gonfler Totali EZ Balloons.



GONFLAGE DES TOTALI EZ BALLOONS

- 1 - Alignez la fente avec la broche et connectez l'extrémité du tuyau au raccord de gonflage comme illustré.
- 2 - Tournez l'extrémité du tuyau dans le sens horaire pour verrouiller en place.
- 3 - Pour l'arche carrée et l'arche traditionnelle, bouchez le raccord de gonflage à l'extrémité opposée de la pompe EZ avec le bouchon universel. Pour la colonne et la guirlande, bouchez l'extrémité du EZ Tube.
- 4 - Connectez l'extrémité du tuyau à l'embout « INFLATE » de la pompe EZ.
- 5 - Branchez la pompe EZ à une source d'alimentation. Allumez la pompe EZ pour commencer le gonflage. Arrêtez lorsque Totali EZ Balloons ont atteint le gonflage désiré. ATTENTION : Totali EZ Balloons ne doivent pas dépasser 30cm de diamètre.

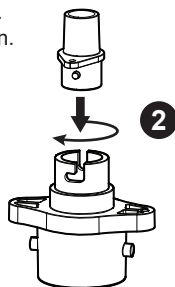
AVERTISSEMENT : N'utilisez PAS la pompe pour dégonfler les Totali EZ Balloons. Ça peut endommager la pompe et causer des risques supplémentaires pour la sécurité. Les Totali EZ Balloons sont pour usage unique seulement. SVP, jetez-les après usage.



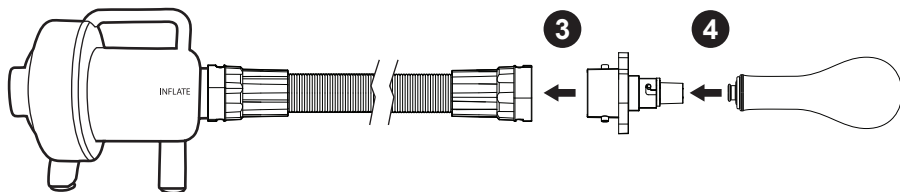
GONFLAGE MANUEL TOTALI EZ BALLOONS

Si certains Totali EZ Balloons ne se gonflent pas ou nécessitent un gonflage supplémentaire après utilisation du système d'arche, suivez ces étapes :

- 1 - Retirez du EZ Tube Totali EZ Balloons qui ne se gonflent pas complètement.
- 2 - Connectez les 2 parties de l'adaptateur de tuyau et verrouillez-les par torsion.
- 3 - Connectez l'adaptateur de tuyau à l'extrémité du tuyau. Verrouillez par torsion.
- 4 - Insérez l'extrémité plastique du Totali EZ Balloons dans l'extrémité de l'adaptateur de tuyau.
- 5 - Tenez le Totali EZ Balloons contre l'adaptateur de tuyau et allumez la pompe électrique pour gonfler Totali EZ Balloons.

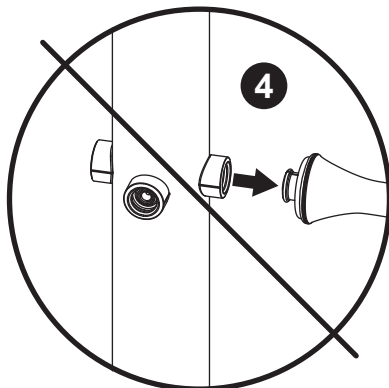
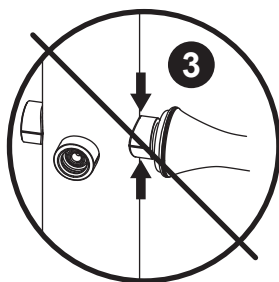
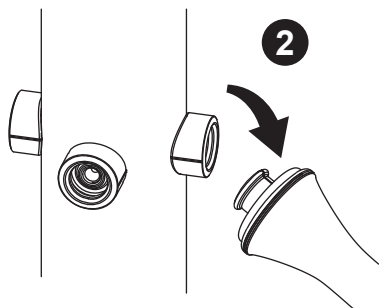
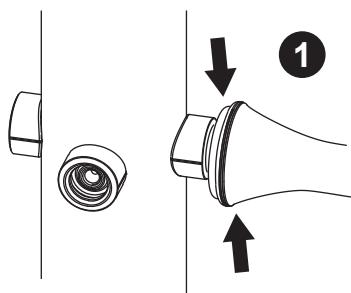


AVERTISSEMENT: N'utilisez PAS la pompe pour dégonfler les Totali EZ Balloons. Ça peut endommager la pompe et causer des risques supplémentaires pour la sécurité. Les Totali EZ Balloons sont pour usage unique seulement. SVP, jetez-les après usage.



RETRAIT TOTALI EZ BALLOONS

- 1 - Saisissez uniquement la bride EZ Balloon.
- 2 - IMPORTANT: Tournez la bride vers le bas pour retirer facilement le Totali EZ Balloons du Port.
- 3 - NE SAISISSEZ PAS et NE TIREZ PAS sur le Port pour éviter de l'enlever.
- 4 - NE TIREZ PAS EZ Balloon droit vers l'extérieur.



POMPE À AIR ÉLECTRIQUE HAUTE PRESSION
INSTRUCTIONS DE SÉCURITÉ IMPORTANTES
LISEZ LES INSTRUCTIONS SUIVANTES AVANT UTILISATION

IMPORTANT

1. L'alimentation doit être de 110 V-220 V CA, 60 Hz
2. Il s'agit d'une pompe à air à haut volume. Elle est destinée à gonfler des articles comme des matelas gonflables, des bateaux gonflables, etc.
3. Ne pas faire fonctionner continuellement plus de 3 minutes, elle pourrait surchauffer et endommager la pompe.
4. Gardez la pompe hors de portée des enfants.
5. Ne pas obstruer les ports de gonflage/dégonflage et les garder ventilés en tout temps.
6. Pour un gonflage rapide et pour réduire le temps de fonctionnement du moteur, utilisez toujours l'adaptateur approprié selon la taille de la valve de l'article gonflable.

AVERTISSEMENT

1. Suivez attentivement les instructions. Ne dépassez jamais les pressions recommandées. L'éclatement d'objets peut causer des blessures graves en dépassant la pression.
2. N'utilisez pas la pompe pour dégonfler les Totali EZ Balloons.
3. Ne laissez pas la pompe sans surveillance pendant qu'elle fonctionne.
4. N'utilisez pas la pompe dans des conditions humides.
5. Ne laissez jamais de sable, de petits cailloux, etc., être aspirés dans le port de gonflage/dégonflage pendant le fonctionnement.
6. Ne regardez jamais dans le port de gonflage/dégonflage ni ne le dirigez vers une personne pendant le fonctionnement.
7. N'essayez jamais d'introduire la main ou les doigts dans le port de gonflage/dégonflage en aucun cas.
8. Le cordon d'alimentation ne peut pas être remplacé. Si le cordon est endommagé, l'appareil doit être mis au rebut.
9. Cet appareil est muni d'une fiche polarisée (une lame est plus large que l'autre). Pour réduire le risque de choc électrique, cette fiche ne s'insère dans une prise polarisée que d'une seule façon. Si la fiche ne s'insère pas complètement dans la prise, inversez-la. Si elle ne s'insère tou
10. N'utilisez pas la pompe plus qu'une minute pour gonfler les Totali EZ Balloons. jours pas, communiquez avec un électricien qualifié. Ne modifiez en aucun cas la fiche.

ENTRETIEN

1. Débranchez ou déconnectez l'appareil de l'alimentation avant l'entretien.
2. Rangez à l'intérieur et gardez au sec.
3. Pour nettoyer la pompe à air, essuyez avec un chiffon sec ou humide.
4. Tout autre entretien doit être effectué par un représentant de service autorisé.t

 **AVERTISSEMENT**

Le produit réel peut différer des images. Dans ce cas, le produit réel prévaut.

Avvertissement : RISQUE D'ÉTOUFFEMENT – Les enfants de moins de 8 ans peuvent s'étouffer ou suffoquer avec des ballons non gonflés ou cassés. Gardez les ballons non gonflés ou les petites pièces hors de portée des enfants. Jetez immédiatement les ballons cassés. Ne gonflez pas avec la bouche. Ce produit contient de petites pièces qui présentent un risque d'étouffement. Gardez hors de portée des enfants pour éviter l'ingestion ou l'étouffement accidentel. Jetez les matériaux d'emballage immédiatement après l'ouverture pour éviter les risques de suffocation. Fabriqué en latex de caoutchouc naturel, qui peut causer des allergies. Ne pas suspendre à ce produit. Une suspension peut causer une défaillance du produit, un basculement ou des blessures. Ce produit n'est pas conçu pour supporter le poids du corps.

Avvertissement : Risque électrique et d'utilisation. Lisez toutes les instructions d'avertissement avant utilisation au dos de la pompe à air électrique. NE PAS utiliser près de l'eau ou avec les mains mouillées – risque de choc électrique. Débranchez lorsque non utilisé. Utilisez uniquement pour gonfler les articles de cette trousse. Supervision d'un adulte requise en tout temps.

ATTENTION:

Toute modification ou tout changement non expressément approuvé par la partie responsable de la conformité pourrait annuler le droit de l'utilisateur d'utiliser cet équipement.

Remarque: Cet équipement a été testé et jugé conforme aux limites applicables aux appareils numériques de Classe B, conformément à la partie 15 des règles de la FCC. Ces limites sont conçues pour offrir une protection raisonnable contre les interférences nuisibles dans une installation résidentielle. Cet équipement génère, utilise et peut émettre de l'énergie radiofréquence et, s'il n'est pas installé et utilisé conformément aux instructions, peut causer des interférences nuisibles aux communications radio. Cependant, il n'est pas garanti qu'aucune interférence ne se produira dans une installation particulière. Si cet équipement cause des interférences nuisibles à la réception de la radio ou de la télévision, ce qui peut être vérifié en allumant et en éteignant l'équipement, l'utilisateur est encouragé à tenter de corriger l'interférence en prenant une ou plusieurs des mesures suivantes :

Réorienter ou déplacer l'antenne de réception.

Augmenter la distance entre l'équipement et le récepteur.

Brancher l'équipement sur une prise faisant partie d'un circuit différent de celui sur lequel est branché le récepteur.

Consulter le revendeur ou un technicien en radio/télévision expérimenté pour obtenir de l'aide.

Garantie Limitée**COUVERTURE DE GARANTIE :**

Totali Totali EZ Balloons LLC garantit que ce produit est exempt de défauts de matériaux et de fabrication pour une période de 60 jours à compter de la date de livraison pour les commandes en ligne ou les achats en magasin. La pompe à air a une période de garantie de 90 jours à compter de la date de livraison pour les commandes en ligne ou les achats en magasin. Pendant cette période, Totali Totali EZ Balloons LLC réparera ou remplacera, sans frais, les produits ou les pièces d'un produit qui s'avèrent défectueux en raison de matériaux ou de fabrication inadéquats, dans des conditions d'utilisation et d'entretien normales. Après 90 jours, les pompes à air de remplacement devront être achetées en ligne sur TotaliEzBalloons.com.

Les Totali EZ Balloons qui ne se gonflent pas ou ne se dégonflent pas après le processus de gonflage ne sont pas considérés comme défectueux ni couverts par la garantie. On fournit 2 Totali EZ Balloons supplémentaires par paquet pour répondre à tout besoin additionnel (soit 6-8 Totali EZ Balloons extra par arche).

CONDITIONS DE GARANTIE :

Cette garantie s'applique uniquement à l'acheteur original du produit. La garantie est nulle si le produit a fait l'objet d'une mauvaise utilisation, d'abus, de négligence, d'un accident, d'une modification non autorisée ou d'une installation incorrecte. La garantie ne couvre aucun dommage, dégonflement, décoloration, oxydation ou défaillance résultant d'une exposition aux intempéries, aux conditions extérieures, aux températures extrêmes, à la lumière directe du soleil, à la pluie, au vent ou à d'autres facteurs environnementaux. Une preuve d'achat doit être fournie pour obtenir le service de garantie. La garantie ne couvre pas l'usure normale ni les dommages causés par des facteurs externes.

SERVICE SOUS GARANTIE :

Pour obtenir le service sous garantie, tu dois contacter Totali Totali EZ Balloons LLC à l'adresse support@totaliezballoons.com pour décrire le problème et déterminer la meilleure solution. Il se peut qu'on te demande de retourner le produit à Totali Totali EZ Balloons LLC pour inspection et réparation.

LIMITES DE LA GARANTIE :

Cette garantie ne couvre aucun dommage accessoire ou consécutif, y compris (mais sans s'y limiter) la perte d'utilisation, la perte d'affaires ou la perte de profits. La garantie se limite uniquement à la réparation ou au remplacement du produit.